

5G Inserter Gen 21-200

The 5G inserter Gen 21 from Valinge is especially designed for flooring applications and fulfills demands on both flexibility and performance in your production line.

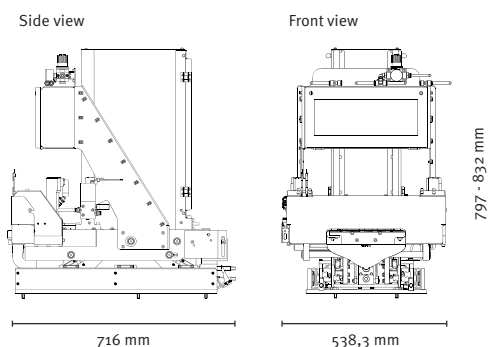
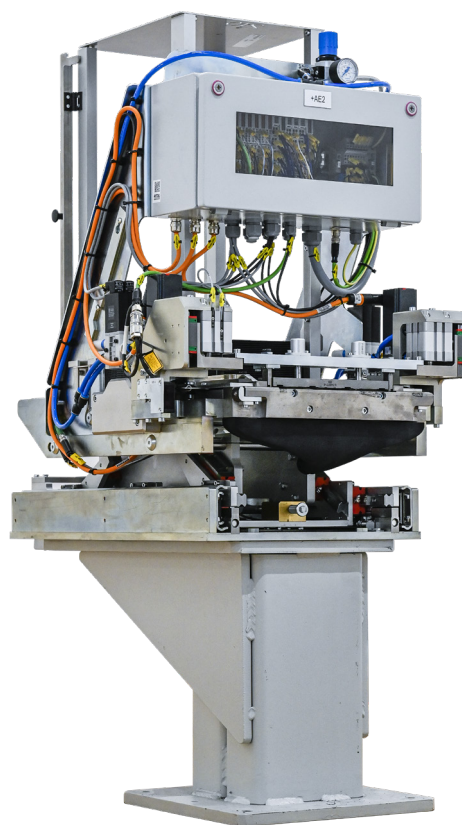
Three servo axes are feeding, separating and inserting the plastic insert into the floor board. A magazine that holds 200 sheets of plastic inserts gives a maximum capacity of 6400 inserts. For each plastic insert dimension, a format kit is mounted and changeover between formats is done in less than 5 minutes.

The machine design enables integration into the profiling line with ease as the machine requires no software integration and is controlled with a touchscreen which features pre-programmed selectable recipes for each product. Valinge provides a stand for the machine for mounting to the DET floor where the inserter is bolted on. The inserter is set with a tilt to match the insert groove of the profile.

The machine is equipped with one or several format kits for different 5G inserts. Features includes quick and easy format change between insert types and lengths and few wear/tear parts keeping total cost of ownership at a minimum level. The machines high capacity enables insertion of one or more plastic inserts into a board/tile both on long- and short-side at speeds up to 60 m/min (verified).

Technical specifications

Capacity:	150 - 200 inserts per minute
Insert Type:	all Valinge plastic inserts
Insert Width:	SLIM version, up to 194 mm WIDE version, up to 289 mm
Maximum chain speed:	60 m/min
Inserting angles:	+8, 0, -8 degrees
Changeover time:	less than 5 minutes
Installation:	Into profiling line



Schematics of the 5G inserter Gen 21-200.

Insert section

The 5G plastic inserts are reinforced with glass fiber for maximum strength and dimension stability.

